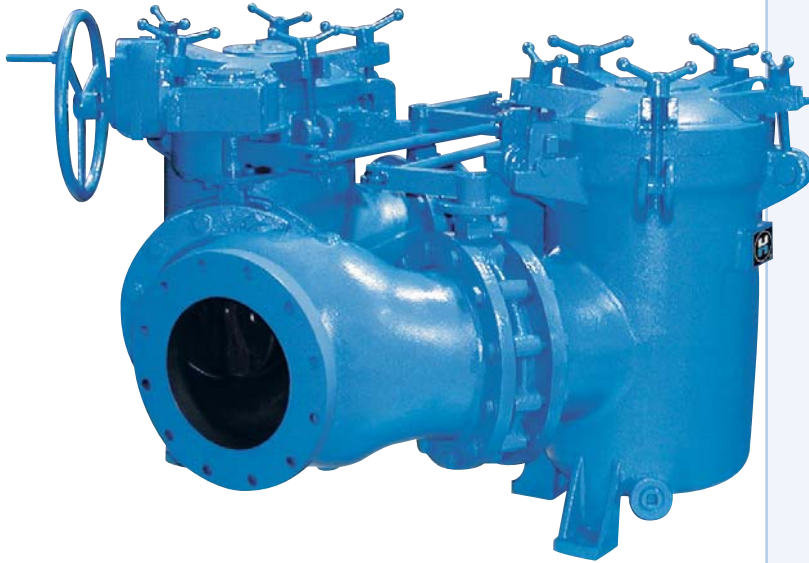


# MODEL 50 LARGE DUPLEX BASKET STRAINER

10" to 18" • Iron and Bronze • Flanged

Convolved Basket Design



**Features**

- Continuous flow – no shutdown for basket cleaning
- Compact butterfly valve design
- Quick opening covers
- Convolved-design baskets
- Threaded drain
- Perforated or mesh stainless steel baskets
- Vent
- Positive shutoff

**Options**

- Ductile iron construction
- Basket perforations from 1/32" to 1/2"
- Basket mesh 20 or 40
- Monel baskets
- Vent valves
- Drain valves
- 1/4" NPT taps
- Pressure differential gauge and switch connections
- Magnetic basket inserts

The Eaton Butterfly Valve Type Model 50 Duplex Basket Strainer is a special design with several important features and advantages for large size pipelines with high flow rates. Flow is switched from one basket chamber to the other by a pair of synchronized, high quality butterfly valves. This replaces the diverter plug used on smaller size strainers and gives a straight flow pattern with no sudden changes in flow direction. The result is a very low pressure loss. A 10" strainer of this type, for example, can handle 2000 gpm of water with a pressure drop on only 2 psi. This is the strainer to choose when you have a high flow rate application and a low pressure loss is critical. Another important benefit of this new design is a saving in overall size. It is more compact than other large size duplex strainers – which means less weight and a smaller profile. This can be very important when space requirements are tight. This design also uses a new, unique basket design concept which incorporates a larger screening area. This is done by convoluting (pleating) the perforated sheet in the strainer basket, thus increasing the available screening area while reducing the total basket size. The flow enters the basket from the side, not the top – resulting in a straight-through flow pattern. What all this means in service is a lower pressure drop and greater time between basket

cleanings than would be possible with standard-design baskets...a real savings in time and operating costs. The butterfly valve assembly used to divert the flow from one basket chamber to the other is balanced so a minimum of effort is needed to switch the flow. There is a single handwheel operator, and it can be located on either side of the strainer if accessibility is a problem. There is an arrow on the top of the gear housing that indicates which basket chamber is in service and which is ready for cleaning. Quick opening covers make strainer basket changing or cleaning quick and easy. No tools or lifting gear are required to open them. This is a feature not often found on strainers of these larger sizes. If your strainer application is for larger size pipelines with high flow rates, the Eaton Model 50 Butterfly Valve offers you several unique features and advantages over other large size duplex strainers. Among them are...low pressure loss, operator friendly with quick open covers that don't require lifting gear, compact design with a smaller footprint than other strainers, and a special basket design to maximize time between basket cleanings. After you've investigated all the possibilities, you'll realize that this large size Eaton Model 50 Duplex Strainer is in a class by itself...and it's cost effective.

**Selection Chart**

Size	Material	End Connection	Seals	Pressure Rating
10" to 12"	Iron	Flanged 125#	Buna N	200 psi @ 100F
	Bronze	Flanged 150#		
14" to 18"	Iron	Flanged 125#		150 psi @ 100F
	Bronze	Flanged 150#		

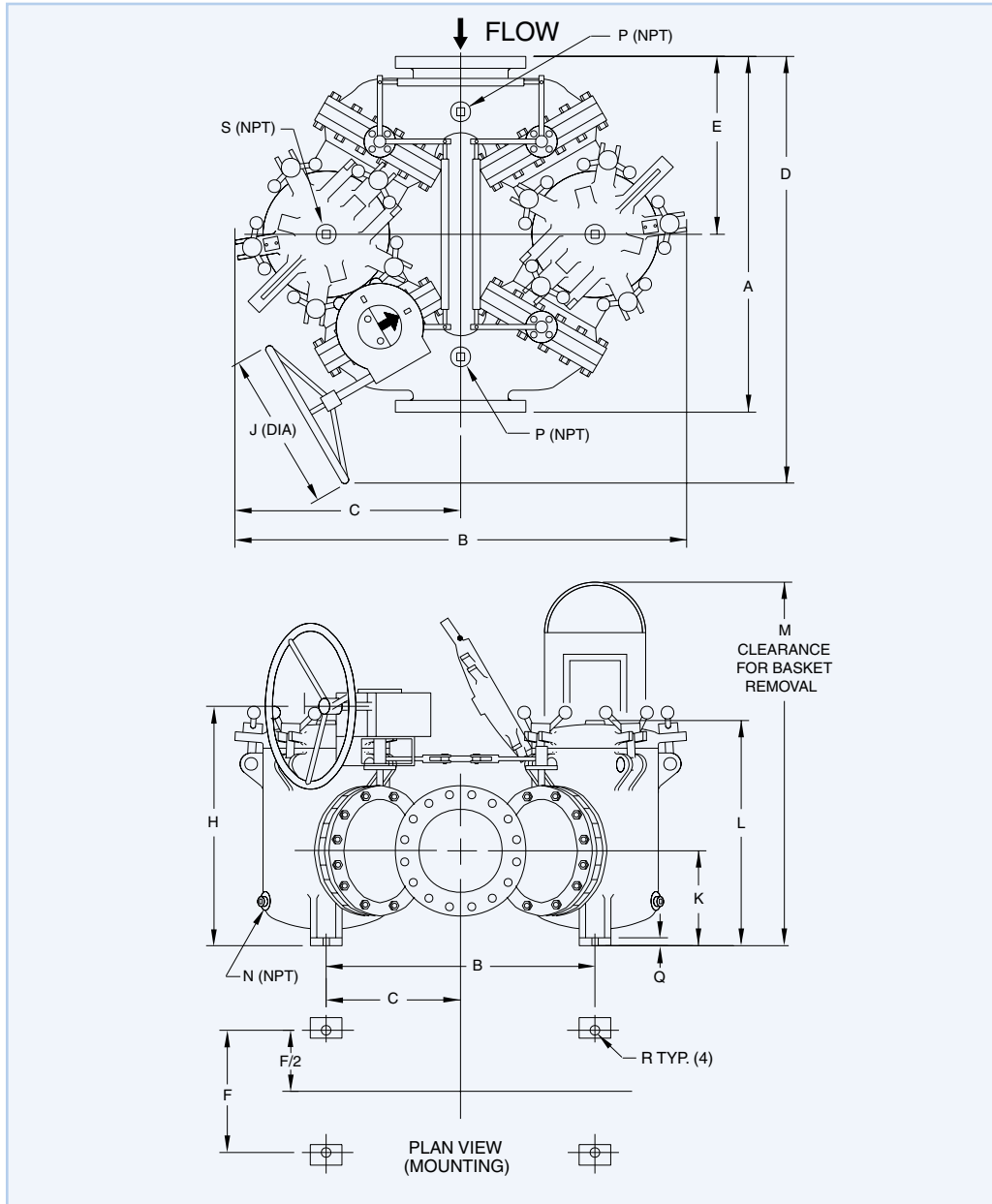
**C<sub>v</sub> Factors\***

Size	Value	Size	Value
10"	1300	16"	3400
12"	2000	18"	4900
14"	2900		

\* For water with clean, perforated basket

DIN flanges available

Technical Details



Dimensions and weights are for reference only. Contact us for certified drawings.

Dimensions (inches / mm) Model 50 Large Duplex Strainer

Pipe Size	A	B	C	D	E	F	G	H	J	K	L	M	N	P	Q	R	S	Wt (lb) (kg)		
																		Iron	Bronze	
10	45	51	26	52	22-1/2	19	32	30-1/4	18	12-3/16	29	49							1600	2003
		1295	660	1321	572	483	813	768	457	310	737	1245							727	910
12	62	64	32	66	31	23	41	36-5/8	16	16-3/4	38	66							2650	3318
		1626	813	1676	787	584	1041	924	406	425	965	1676							1205	1508
14	72	76	38	79	35-1/2	27	48	44-3/4	24	18-3/4	44-1/2	77	1-1/2	1/2	1	1	1/4		4300	5384
		1930	965	2007	902	686	1219	1137	610	476	1130	196	50	20	32	32	-		1955	2447
16	72	76	38	79	35-1/2	27	48	44-3/4	24	18-3/4	44-1/2	77							4400	5509
		1930	965	2007	902	686	1219	1137	610	476	1130	196							2000	2504
18	72	76	38	79	35-1/2	27	48	44-3/4	24	18-3/4	44-1/2	77								