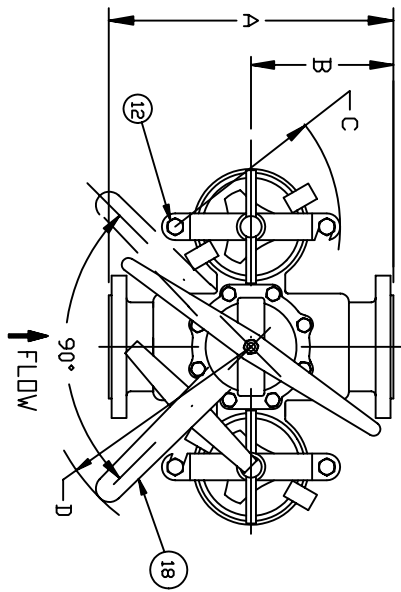
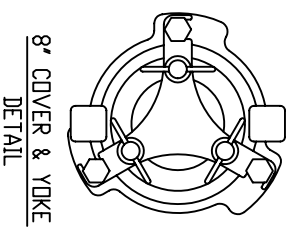
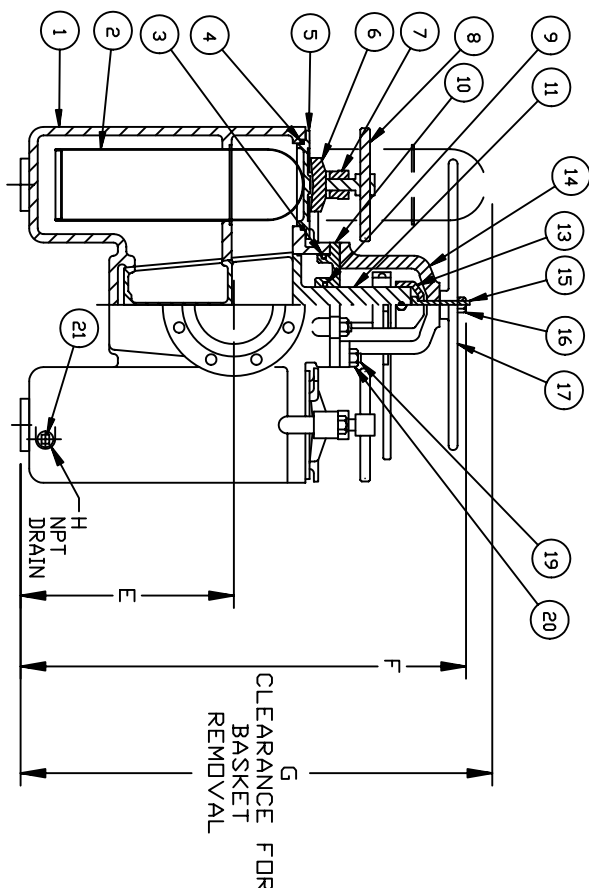


PIPE SIZE (NOMINAL)	DIMENSIONS											WEIGHT LBS. KGS.	HAYWARD PART NO.
	A IN. MM.	B IN. MM.	C IN. MM.	D IN. MM.	E IN. MM.	F IN. MM.	G IN. MM.	H IN. MM.	J IN. MM.	K IN. MM.	L IN. MM.		
6" (150mm)	22.00 / 559	12.88 / 327	11.75 / 298	19.75 / 502	18.50 / 470	35.00 / 889	42.00 / 1067	3/8 / 10	20.75 / 527	0.63 / 16	12.50 / 318	615 / 279	ST0500600R22C
8" (200mm)	25.00 / 635	14.00 / 356	-- / --	28.00 / 711	22.44 / 570	50.00 / 1270	56.00 / 1422	1/2 / 15	30.75 / 781	0.88 / 22	17.00 / 432	1670 / 757	ST0500800R22C



- NOTES:
1. INLET/OUTLET FLANGE CONNECTIONS PER ANSI B16.5.
  2. SIZE 6" USE COVER CLAMP (ITEM 6).
  3. MAX. WORKING PRESSURE: 6" SIZE, 200 PSI @ 100°F ( 13.8 BAR @ 37.8°C )  
8" SIZE, 150 PSI @ 100°F ( 10.3 BAR @ 37.8°C )



NO.	PART NAME	MATERIAL
1	BODY	SSTL ASTM A351 GR. CF8M
2	BASKET	
	PERF. DIA.	
	MESH	
3	D-RING (SIZE - 6")	VITON
	GASKET (SIZE - 8")	NON-ASBESTOS
4	D-RING	VITON
5	COVER	SSTL ASTM A351 GR. CF8M
6	COVER CLAMP	DUCTILE IRON
7	YOKE	DUCTILE IRON
8	YOKE SCREW AND PIN ASSY	CARBON STEEL
9	D-RING	VITON
10	BONNET	SSTL ASTM A351 GR. CF8M
11	DIVERTER PLUG	SSTL ASTM A351 GR. CF8M
12	YOKE STUD	STEEL
13	JACK COLLAR	DUCTILE IRON
14	JACK BONNET	DUCTILE IRON
15	JACKSCREW	STEEL
16	JACKSCREW NUT	CARBON STEEL
17	LIFTING HANDLE	DUCTILE IRON
18	TURNING HANDLE	DUCTILE IRON
19	BONNET STUD	ALLOY STEEL
20	BONNET STUD NUT	CARBON STEEL
21	DRAIN PLUG	STAINLESS STEEL

CERTIFIED FOR:  
P.D. NO.:  
REG. NO.:  
QUOTE NO.:  
TAG NO.:

ELECTRONIC FILE NAME: SD051094.DWG  
REF. ECR C814 DATE 12/15/04

UNAUTHORIZED USE, MANUFACTURE OR REPRODUCTION IN WHOLE OR IN PART IS PROHIBITED. DRAWING, DESIGN AND OTHER DISCLOSURES PROPERTY OF HAYWARD INDUSTRIAL PRODUCTS, INC.

**HAYWARD INDUSTRIAL PRODUCTS, INC.**  
900 FAIRMOUNT AVENUE, ELIZABETH, NEW JERSEY 07207

MODEL 50 DUPLEX STRAINER  
150# RAISED FACE FLANGE  
SIZES 6" & 8" STAINLESS STEEL

DRAWN	FM	DATE	1/31/94	CERT.	JQ	DATE	2/1/94
SIZE	A	DWG NO.	SD051094	REV	E		