

# MODEL 30R ECONOMY BASKET STRAINER

Sizes 1-1/2" to 8" • Iron • Threaded or Flanged

Economical System Protection



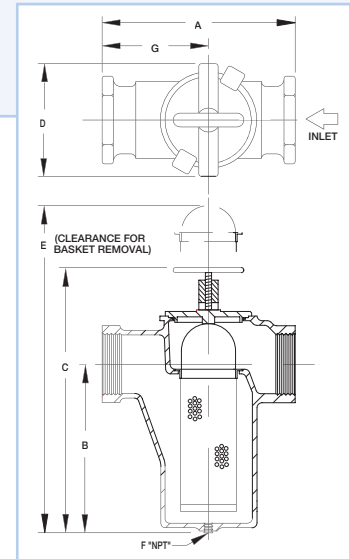
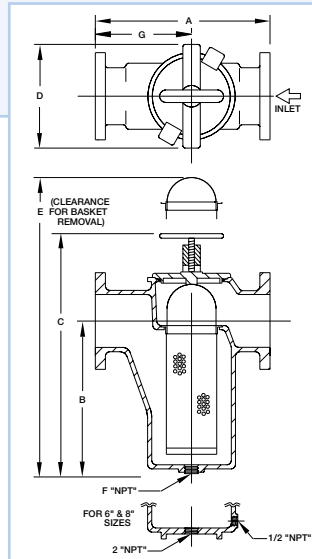
The Eaton Model 30R is a high quality, low cost simplex basket strainer...perfect for cost sensitive applications. While the cost of the Model 30R is low, its design incorporates many features found only on more expensive units including machined basket seats to protect against bypass insuring all of the flow is strained. The cover of the Model 30R is a clamp type and is hand removable without the need for tools, this makes access to the basket quick and easy for cleaning or change out and every size strainer comes standard with a drain plug. The Model 30R is the best choice simplex strainer for low or moderate pressure applications such as swimming pools, cooling towers, and large air conditioning installations.

### Features:

- Hand removable cover
- Drain plug
- Machined basket seat
- Standard perforated stainless steel basket

### Options:

- Basket perforations from 1/32" to 1/2"
- Basket mesh from 20 to 400
- Monel baskets
- Vent valves
- Drain valves
- 1/4" NPT taps
- Magnetic basket inserts
- Pressure differential gauges and switches



Dimensions and weights are for reference only. Contact us for certified drawings.

### Dimensions (in / mm) Flanged

Pipe Size	A	B	C	D	E	F	G	Dry Wt. lb / kg
1-1/2	7.75 / 197	6.50 / 165	10.63 / 270	6.00 / 152	14.88 / 378	3/4 / 20	4.44 / 113	12 / 5.5
2	9.63 / 245	7.50 / 191	11.63 / 295	7.50 / 191	17.38 / 441	1-1/4 / 32	5.63 / 143	27 / 12.3
2-1/2	11.00 / 279	9.13 / 232	15.25 / 387	8.00 / 203	22.38 / 568	1-1/4 / 32	5.88 / 149	45 / 20.5
3	11.88 / 302	9.13 / 232	15.25 / 387	8.00 / 203	22.38 / 568	1-1/4 / 32	6.50 / 165	59 / 26.6
4	13.75 / 349	9.63 / 245	16.63 / 422	9.25 / 235	30.00 / 762	1-1/2 / 40	8.44 / 214	71 / 32.2
6	17.50 / 445	12.38 / 315	26.13 / 664	14.75 / 375	35.00 / 889	2 / 50	10.31 / 262	150 / 68.1
8	23.63 / 600	17.75 / 451	32.63 / 829	14.75 / 375	48.00 / 1219	2 / 50	14.50 / 368	230 / 104.3

### Dimensions (in / mm) Threaded

Pipe Size	A	B	C	D	E	F	G	Dry Wt. lb / kg
1-1/2	7.00 / 178	6.50 / 165	10.63 / 270	6.00 / 152	14.88 / 378	3/4 / 20	3.88 / 99	7 / 3.2
2	8.50 / 216	7.50 / 191	11.63 / 295	7.50 / 191	17.38 / 441	1-1/4 / 32	4.81 / 122	20 / 9.1
2-1/2	11.50 / 292	9.13 / 232	15.25 / 387	8.00 / 203	22.38 / 568	1-1/4 / 32	6.00 / 152	34 / 15.5
3	11.50 / 292	9.13 / 232	15.25 / 387	8.00 / 203	22.63 / 575	1-1/4 / 32	6.00 / 152	34 / 15.5

### Selection Chart

Size	Material	End Connections*	Seals	Pressure Rating
1-1/2" to 3"	Iron	Threaded	Buna N	200 psi at 100F
1-1/2" to 8"		Threaded or Flanged 125#		

\* DIN flanges and BSP threads available

### C<sub>v</sub> Factors\*

Size	Value	Size	Value
1-1/2"	58	4"	240
2"	90	6"	370
2-1/2"	140	8"	600
3"	200		

\* For water with clean, perforated basket