

TEMPORARY STRAINERS

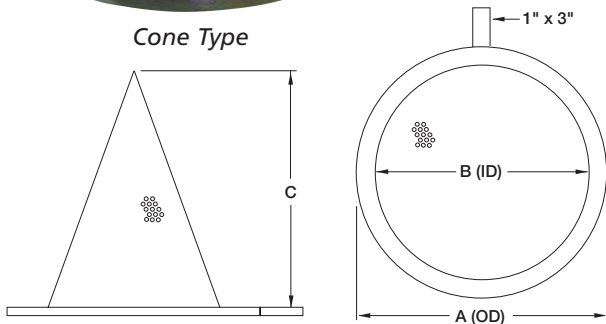
2" to 24" • Flanged • Stainless Steel and Monel

Perfect for
Startup Service



Basket Type

Cone Type



Features

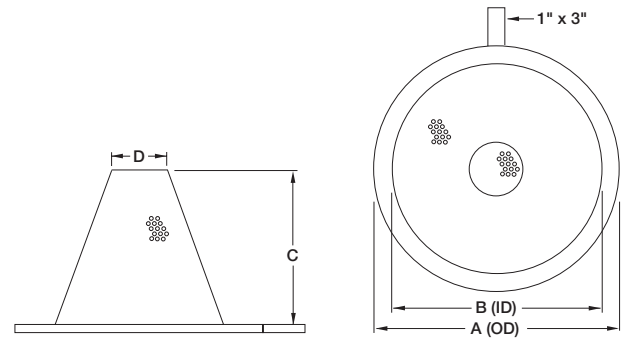
- ANSI Classes 150, 300 and 600
- Perforations: 1/32" to 1/2" diameter
- Mesh Liners: 20, 40, 60, 80 and 100 (best with basket type strainers)
- Stainless steel or Monel construction

Options

- Alloy construction, RTJ-style connections

Designed For Use In:

- New pipeline start-up service
- Systems where solid contaminants are not prevalent, but where protection of piping system components is desirable



Dimensions (inches) Model 92 Cone Type

| Pipe Size | A | | | B | C |
|-----------|-----------|-----------|-----------|-------|------|
| | Class 150 | Class 300 | Class 600 | | |
| 2 | 3.88 | 3.88 | 4.13 | 1.75 | 6.0 |
| 2 -1/2 | 4.63 | 4.63 | 4.88 | 2.25 | 7.0 |
| 3 | 5.13 | 5.13 | 5.63 | 2.75 | 9.0 |
| 4 | 6.63 | 6.63 | 6.88 | 3.50 | 12.0 |
| 5 | 7.50 | 7.50 | 9.25 | 4.63 | 14.0 |
| 6 | 8.50 | 8.50 | 10.25 | 5.50 | 17.0 |
| 8 | 10.75 | 10.75 | 12.38 | 7.13 | 23.0 |
| 10 | 12.13 | 13.13 | 15.50 | 9.0 | 27.0 |
| 12 | 15.88 | 15.88 | 17.38 | 10.88 | 32.0 |
| 14 | 17.50 | 17.50 | 19.13 | 12.63 | 33.0 |
| 16 | 20.0 | 20.0 | 22.0 | 14.50 | 39.0 |
| 18 | 21.38 | 21.38 | 23.88 | 16.38 | 44.0 |
| 20 | 23.63 | 23.63 | 26.63 | 18.38 | 49.0 |
| 24 | 28.0 | 28.0 | 30.88 | 20.38 | 58.0 |

Dimensions (inches) Model 92 Basket Type

| Pipe Size | A | | | B | C | D |
|-----------|-----------|-----------|-----------|-------|-------|------|
| | Class 150 | Class 300 | Class 600 | | | |
| 2 | 3.88 | 3.88 | 4.13 | 1.75 | 3.50 | 1.0 |
| 2-1/2 | 4.63 | 4.63 | 4.88 | 2.25 | 4.0 | 1.0 |
| 3 | 5.13 | 5.13 | 5.63 | 2.75 | 4.50 | 1.0 |
| 4 | 6.63 | 6.63 | 6.88 | 3.50 | 6.0 | 2.0 |
| 5 | 7.50 | 7.50 | 9.25 | 4.63 | 7.50 | 2.0 |
| 6 | 8.50 | 8.50 | 10.25 | 5.50 | 9.0 | 2.0 |
| 8 | 10.75 | 10.75 | 12.38 | 7.13 | 12.0 | 2.0 |
| 10 | 13.13 | 13.13 | 15.50 | 9.0 | 14.0 | 3.0 |
| 12 | 15.88 | 15.88 | 17.38 | 10.88 | 16.50 | 3.0 |
| 14 | 17.50 | 17.50 | 19.13 | 12.63 | 17.0 | 4.0 |
| 16 | 20.0 | 20.0 | 22.0 | 14.50 | 19.0 | 4.0 |
| 18 | 21.38 | 21.38 | 23.88 | 16.38 | 21.0 | 6.0 |
| 20 | 23.63 | 23.63 | 26.63 | 18.38 | 24.0 | 6.0 |
| 24 | 28.0 | 28.0 | 30.88 | 22.38 | 28.0 | 10.0 |