

# Simplex Bag Filters

## Single or Double Length - PPL, PVDF



### Features

- All-Plastic Construction
- PPL Offered in Single & Double Length; PVDF in Double Length
- Hand-Removable Cover
- Integral Mounting Flange
- External Cover Threads
- In-Line or Loop Flow
- FPM Seals

### Options

- Flanged Connections
- EPDM Seals
- Pressure Differential Gauge and Switch
- Vent Gauge with Gauge Guard
- Multi-Vessel Manifoldded Units
- 1/4" NPT Differential Pressure Gauge Holes

### Corrosion Is Never a Problem

A metal filter housing will ultimately rust or corrode and contaminate the process media. There is no danger of this happening with a Hayward All-Plastic Simplex Bag Filter. It will never rust or corrode and never compromise the quality of the process fluid.

### Wide Range of Filter Bags

Non-woven polypropylene filter bags are available in 1, 5, 10, 25, 50, 100 and 200 micron sizes. The retaining basket that holds the bag has a unique, universal seat that works with almost any standard 7" x 16" or 7" x 32" filter bag.

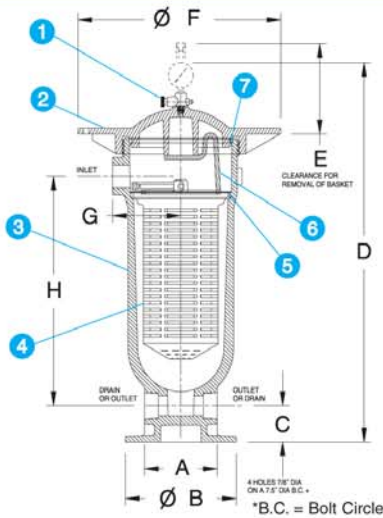
### Extra Features, No Extra Cost

Features such as a vent/bleed valve installed on the cover of the polypropylene model and an integral mounting flange are all standard with every Hayward Simplex Bag Filter.

### Easy Bag Change-Out

These filters are designed for easy service. A hand-removable cover and built-in basket and bag handles, make bag change-out fast and easy. No tools are needed and the filter is back in service in a matter of minutes. The external cover threads are not in contact with the process media – thus eliminating the need for cleaning each time the bag is changed. For extra strength the cover features specially designed buttress style threads.

# Technical Information



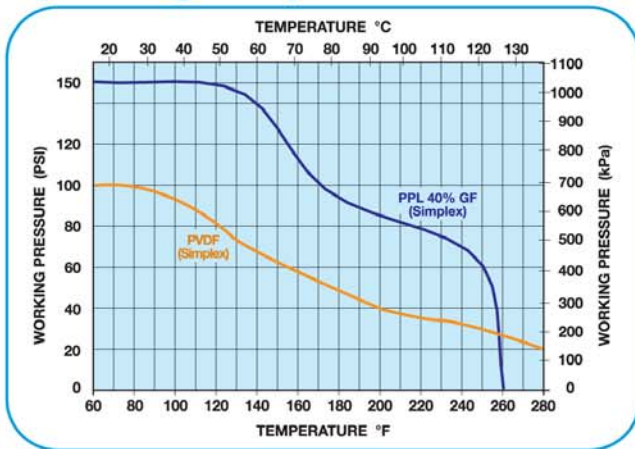
## Parts List Simplex Bag Filter

1. Vent Valve with Optional Gauge (PPL Vessels Only)
2. Cover
3. Body (PPL Double & Single Length, PVDF Double Length Only)
4. Basket
5. Viton O-Ring
6. Bag Retainer
7. Viton O-Ring

## Dimensions - Inches / Millimeters

Vessel Size	A	B	C	D	E	F	G	H	J	K	Weight (lb / kg)
Single Length	6.50 / 165	10.00 / 254	3.25 / 83	34.10 / 866	20.00 / 508	18.30 / 465	6.13 / 156	20.75 / 527	11.5 / 292	8.75 / 222	60 / 27
Double Length	6.50 / 165	10.00 / 254	3.25 / 83	50.10 / 1273	36.00 / 914	18.30 / 465	6.13 / 156	36.75 / 933	11.5 / 292	8.75 / 222	80 / 36

## Operating Temperature/Pressure



## Technical Specifications

- Material of Construction:** Glass-reinforced polypropylene – single & double length; PVDF – double length only
- Piping Connections:** PPL: 2" NPT threaded or 150# ANSI flange. PVDF: 2" flange
- Drain Connections:** PPL: 2" NPT threaded or 150# ANSI flange. PVDF: 2" flange
- Bag Size:** Single length - 7" x 16", 2.0 square feet; double length - 7" x 32", 4.1 square feet, PPL fabric and ring
- Pressure Rating:** PPL 150 PSI, PVDF 100 PSI
- Seals:** Viton® (EPDM optional)
- Nominal Bag Ratings:** 1, 5, 10, 25, 50, 100, 150, 200, 400, 600 and 800 microns. Universal seat accepts most standard 7" diameter bags
- Flow Rate:** Single length, 50 gpm with clean bag  
double length, 100 gpm with clean bag

Corzan® is a registered trademark of Noveon, Inc.  
Viton® is a registered trademark of DuPont