

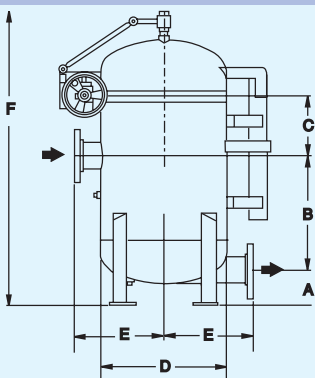
MAXILINE™ VMBF SE

QIC-LOCK™ MAXILINE™ VMBF SE

The user friendly, cost effective bag filter housing for high volume applications and processes demanding frequent bag change-out. Ideal for batch process runs and high dirt load applications.



- QIC-LOCK rapid opening mechanism ensures simple, operator friendly and safe operation with minimal downtime to increase productivity and decrease running costs.
- Unique 3-point hold down or bayonet fittings ensure high quality of seal between each filter bag and housing body. Special tool (supplied) ensures simple effective operation.
- A counter-balanced spring assisted cover-lifting mechanism balances the cover perfectly giving it a weightless feel. Opening and closing of the cover with the "little finger" is a reality.
- Positive O-ring sealing offers easy and safe operation.
- Side inlet and bottom outlet provides easy and full drainage, tangential outlet option available to reduce housing height.
- Available in Type 304 or 316 stainless steel for high corrosion resistance.
- Housing volume is optimized to minimize product loss.
- 6 standard sizes with 4 through to 24 bag housings available (size 02).



See page 5 for dimensions.

These value added features:

QIC-LOCK spindle mechanism

Automatic safety interlock for venting housing

Low profile design with tangential inlet/outlet.

Spring assisted cover lifter

Give these benefits

Operator friendly, simple, fast bag change-out. Ideal for processes requiring frequent bag changes such as batch processes.

Cover cannot be opened if housing is under pressure.

Reduces housing height to make bag changing easier. No need for ladders, stools or catwalks.

Quick, easy opening of even the largest size covers by a single person.

QIC-LOCK[®] CONCEPT

User friendly

Economical

Fast · Simple · Efficient · Economical · Safe · User Friendly · Durable
Low Maintenance · Cost Effective · Approved Design · High Productivity

Terms that reflect bag filter user expectations in the modern day production environment.

MULTI-BAG/MAXILINE™ HOUSING **OPEN AND CLOSE CYCLES IN LESS**

The revolutionary QIC-LOCK™ opening mechanism answers all the demands of Bag Filtration users working in an environment where productivity and safety are the key priorities. Years of field-based experience on earlier designs such as the V-clamp “toggle” closure followed by the “ratchet” system have all proven the requirement for benefits of rapid opening mechanisms.

- QIC-LOCK opening mechanism is safe to use, an interlock prevents opening until the housing is entirely vented.
- QIC-LOCK opening mechanism is simple and fast to operate. Standing in 1 position, the operator can rotate the hand-wheel and open the cover, there is no requirement to have full movement and access around the housing or the use of any tools as with conventional bolted closures.
- QIC-LOCK opening mechanism has a rugged design, precision machining assures long-life and repeatable operation, and a special coating protects the spindle surface from wear and corrosion. The design is approved for all pressure housing design codes.

QIC-LOCK opening mechanism doesn't just make life easier for operators; there are significant cost benefits to be realized with greatly reduced down times and lower maintenance costs.

Safe





1 Filter element change necessary, opening the safety interlock ensures simultaneous pressure relief

Easy



2 Rotation of the spindle using a hand-wheel opens the V-clamp into the end position



3 Opening the cover aided by spring assisted mechanism

ole

OPEN AND
SECONDS!

efficient



4 Filter element change

effective



5 Closing of the cover



6 Closing of the V-clamp by rotation of the spindle

Fast



7 Closing of the safety interlock, housing is ready to go on-line!

TECHNICAL DATA

SERIES	Type*	No. Of Bags		Bag Size	Max. Flow 2 GPM	Material 1	Max. Allowable Pressure		Housing Volume		Housing Weight	Inlet Outlet Connection	Type	Vent 4	Dimensions In Inches					
		PSI	°F				GAL	LBS	A	B					C	D	E	F		
MAXILINE VMBF SE	VMBF-0402-AB10-040A-UT-11SE	4	2	400	SS	150	250	69	484	4"	Flanged	1"	6.00	20.00	10.50	22.00	15.75	68.00		
	VMBF-0602-AB10-060A-UT-11SE	6	2	900	SS	150	250	139	983	6"	Flanged	1"	7.25	20.00	13.00	31.50	20.75	80.00		
	VMBF-0802-AB10-080A-UT-11SE	8	2	1750	SS	150	250	141	1023	8"	Flanged	1"	8.25	19.00	12.80	31.50	20.50	80.00		
MAXILINE MBF HE	MBF-0302-AB10-030A-UT-11HE	3	2	230	SS or CS	150	250	40	245	3"	Flanged	1"	6.00	22.50	6.40	18.00	12.75	60.00		
	MBF-0402-AB10-040A-UT-11HE	4	2	400	SS or CS	150	250	69	380	4"	Flanged	1"	6.00	22.20	7.40	24.00	16.00	68.40		
	MBF-0602-AB10-060A-UT-11HE	6	2	900	SS or CS	150	250	90	440	6"	Flanged	1"	7.50	19.50	9.03	24.00	16.50	68.80		
	MBF-0802-AB10-080A-UT-11HE	8	2	1750	SS or CS	150	250	116	644	8"	Flanged	1"	8.25	19.00	6.48	30.00	20.50	79.50		
MAXILINE MBF HD	MBF-0302-AB10-030A-UT-11HD	3	2	230	SS or CS	150	250	40	255	3"	Flanged	1"	6.00	22.50	6.40	18.00	12.75	66.00		
	MBF-0402-AB10-040A-UT-11HD	4	2	400	SS or CS	150	250	54	390	4"	Flanged	1"	6.00	22.20	7.80	24.00	16.00	68.00		
	MBF-0602-AB10-060A-UT-11HD	6	2	900	SS or CS	150	250	95	460	6"	Flanged	1"	7.00	20.00	9.80	26.00	18.50	68.00		
	MBF-0802-AB10-080A-UT-11HD	8	2	1750	SS or CS	150	250	140	655	8"	Flanged	1"	8.25	19.00	10.78	30.00	20.50	66.00		
	MBF-1002-AB10-100A-UT-11HD	10	2	2600	SS or CS	150	250	215	1400	10"	Flanged	1"	10.00	17.00	13.30	36.00	24.50	70.00		
	MBF-1202-AB10-100A-UT-11HD	12	2	2600	SS or CS	150	250	245	1500	10"	Flanged	1"	10.00	17.00	13.80	38.00	24.50	72.00		
	MBF-1402-AB10-100A-UT-11HD	14	2	2600	SS or CS	150	250	311	1800	10"	Flanged	1"	11.50	20.00	11.81	42.00	28.00	76.00		
	MBF-1602-AB10-120A-UT-11HD	16	2	3500	SS or CS	150	250	317	1875	12"	Flanged	1"	11.50	20.00	11.81	42.00	28.00	76.00		
	MBF-1802-AB10-120A-UT-11HD	18	2	3500	SS or CS	150	250	446	2420	12"	Flanged	1"	12.50	22.00	10.69	48.00	31.00	88.00		
	MBF-2002-AB10-140A-UT-11HD	20	2	4500	SS or CS	150	250	454	2505	14"	Flanged	1"	12.50	22.00	10.69	48.00	31.00	88.00		
	MBF-2202-AB10-140A-UT-11HD	22	2	4500	SS or CS	150	250	570	2730	14"	Flanged	1"	12.50	22.00	13.44	52.00	33.00	92.00		
	MBF-2402-AB10-140A-UT-11HD	24	2	4500	SS or CS	150	250	570	2800	14"	Flanged	1"	12.50	22.00	13.44	52.00	33.00	92.00		
TOPLINE	TBF-0101-AB10-020A	1	1	90	SS or CS	150	400	3.5	80	2"	Flanged	1/4"	17.70	15.50	1.93	8.62	12.08	53.50		
	TBF-0102-AB10-020A	1	2	180	SS or CS	150	400	7.25	93	2"	Flanged	1/4"	17.70	31.00	1.93	8.62	12.08	84.25		
	TBF-0102-AB10-020R-M32B0	1	2	180	SS	150	400	7.25	93	2"	Tri-Clamp	1/4"	15.80	32.78	1.93	8.62	12.83	84.25		
SIDELINE	SBF-0101-AB10-020A	1	1	90	SS	150	400	4.75	84	2"	Flanged	1/4"	17.70	19.50	3.15	8.62	8.66	54.70		
	SBF-0101-AB10-030A	1	1	90	SS	150	400	4.75	84	3"	Flanged	1/4"	17.70	19.50	3.15	8.62	8.66	54.70		
	SBF-0102-AB10-020A	1	2	180	SS	150	400	8.5	102	2"	Flanged	1/4"	17.70	35.00	3.15	8.62	8.66	85.50		
	SBF-0102-AB10-030A	1	2	180	SS	150	400	8.5	102	3"	Flanged	1/4"	17.70	35.00	3.15	8.62	8.66	85.50		
	SBF-0103-AB21-015N	1	3	25	SS	300	225	0.5	26	1 1/2"	NPT	1/4"	na	11.77	2.95	4.50	3.50	21.80		
	SBF-0104-AB21-015N	1	4	50	SS	300	225	0.7	29	1 1/2"	NPT	1/4"	na	17.87	2.95	4.50	3.50	33.90		
DUOLINE	TOPLINE	2	2	180	SS or CS	150	250	16	240	2"	Flanged	1/4"	17.70	24.50	1.93	8.62	37.45	84.25		
	SIDELINE	2	2	180	SS	150	250	16	300	2"	Flanged	1/4"	17.70	27.50	3.15	8.62	30.82	85.50		
	SIDELINE	2	2	180	SS	150	250	17	330	3"	Flanged	1/4"	17.70	27.50	3.15	8.62	33.32	85.50		
	FLOWLINE	2	2	180	SS or CS	150	250	15	200	2"	Flanged	1/4"	17.70	28.44	3.34	7.68	37.45	85.50		
MODULELINE	TOPLINE	1+1	2	360	SS or CS	150	250	16	230	2"	Flanged	1/4"	17.70	24.50	1.93	8.62	34.32	84.25		
	SIDELINE	1+1	2	360	SS	150	250	16	230	2"	Flanged	1/4"	17.70	27.50	3.15	8.62	27.44	85.50		
	SIDELINE	1+1	2	360	SS	150	250	17	300	3"	Flanged	1/4"	17.70	27.00	3.15	8.62	29.70	85.50		
	FLOWLINE	1+1	2	360	SS or CS	150	250	15	170	2"	Flanged	1/4"	17.70	28.44	3.34	7.68	26.64	85.50		
POLYLINE	PBF-0101-PO10-020A	1	1	50	PPL	150	70	6.6	55	2"	Flanged	1/4"	3.26	20.75	3.38	10.35	8.50	60.00		
	PBF-0101-PO10-020N	1	1	50	PPL	150	70	6.6	51	2"	NPT	1/4"	3.26	20.75	3.38	10.35	6.14	60.00		
	PBF-0102-PO10-020A	1	2	100	PPL	150	70	9.5	68	2"	Flanged	1/4"	3.26	36.75	3.38	10.35	8.50	76.00		
	PBF-0102-PO10-020N	1	2	100	PPL	150	70	9.5	64	2"	NPT	1/4"	3.26	36.75	3.38	10.35	6.14	76.00		
	PBF-0102-PF07-020A	1	2	100	PVDF	100	80	9.5	100	2"	Flanged	1/4"	3.26	36.00	3.88	10.35	8.50	75.25		
	D-PBF-0101-PO10-020A	1+1	1	50	PPL/CPVC	150	70	14.5	162	2"	Flanged	1/4"	6.10	39.04	3.88	10.35	30.00	75.10		
	D-PBF-0101-PO10-020N	1+1	2	100	PPL/CPVC	150	70	20.6	190	2"	Flanged	1/4"	6.10	55.04	3.88	10.35	30.00	91.10		
FLOWLINE	FBF-0101-AB10-020A	1	1	90	SS or CS	150	250	4	30	2"	Flanged	1/4"	17.70	20.75	3.34	7.68	6.70	54.90		
	FBF-0101-AB10-020N	1	1	90	SS or CS	150	250	4	30	2"	NPT	1/4"	17.70	19.64	3.34	7.68	5.37	54.90		
	FBF-0102-AB10-020A	1	2	180	SS or CS	150	250	7	43	2"	Flanged	1/4"	17.70	36.31	3.34	7.68	6.70	85.90		
	FBF-0102-AB10-020N	1	2	180	SS or CS	150	250	7	43	2"	NPT	1/4"	17.70	35.19	3.34	7.68	5.37	85.70		
ECOLINE	EBF-0101-AB10-020N	1	1	90	SS	100	250	4	25	2"	NPT	1/4"	na	19.64	3.24	7.68	5.37	37.00		
	EBF-0102-AB10-020N	1	2	180	SS	100	250	7	38	2"	NPT	1/4"	na	35.19	3.24	7.68	5.37	68.00		
	EBF-0103-AB10-015N	1	3	25	SS	150	250	0.5	9	1 1/2"	NPT	1/4"	na	11.77	2.78	4.50	3.50	22.45		
	EBF-0104-AB10-015N	1	4	50	SS	150	250	0.7	11	1 1/2"	NPT	1/4"	na	17.87	2.78	4.50	3.50	33.84		

1) SS = Austenitic Stainless Steel SS 316 and CF8M or better
 2) Maximum theoretical flow based on water viscosity, bag specific
 3) Dimensions for reference only and approximate. Exact dimensions for installation purposes available on request.
 4) For details, see available product specific data sheet

* Type number is for stainless steel construction. Change AB to CS for carbon steel.
 ** Depending on seal material

Product Codes							
D	MBF	04	02	AC	10	050	D
D-DUOLINE M-MODULELINE	VMBF-MAXILINE MBF-MAXILINE TBF-TOPLINE SBF-SIDELINE PBF-POLYLINE FBF-FLOWLINE EBF-ECOLINE	No. of bags 01, 02, 04, 08, 12, 16, 20, 24	Bag Size 01-short 7" 02-long 7" 03-short 4" 04-long 4"	Material AB-SS316 CS-Carbon Steel PO-Polypropylene PF-PVDF	Pressure rating 10-150 psi 21-300 psi	Connection Size 050-1/2" 010-1" 012-1 1/4" 015-1 1/2" 020-2" Up to 140-14"	Connection Type A-ANSI Flange N-NPT Female Thread