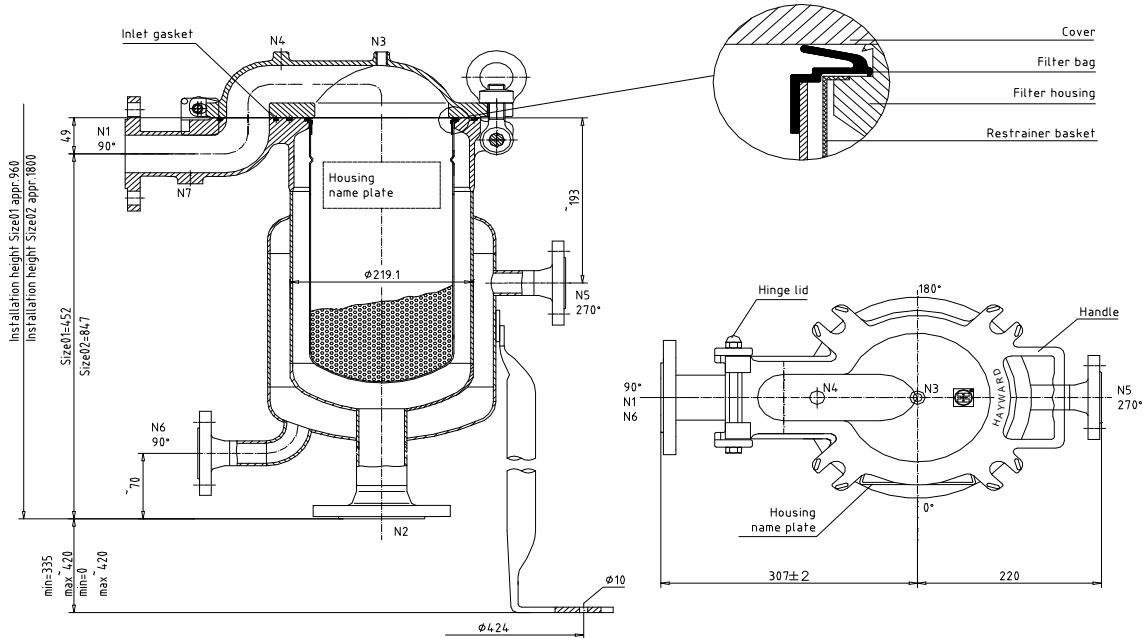


Eaton GAF Bag filter – TOPLINE Housing 316 S/S, Heat Jacket



HT-0046/0047 02/06/2003 all dimensions in mm

Specification (Changes possible w/o notice)	Size 01	Size 02
Spe. 20.05.2000		
Type code	TBF-0101-AB10-020A-H	TBF-0102-AB10-020A-H
Max. flow rate (m ³ /h)	20	40
Filter area (m ²)	0.25	0.50
Filter housing volume Vessel / Jacket (litre)	13 / 6	27.5 / 13.5
Filter housing weight (kg)	approx. 51	approx. 64
Installation height (cm)	approx. 96	approx. 168
Installation space (cm)	approx. 80 x 70	
Mode of installation	leg assembly (LAY-TBFH-BB-01)	
Material of construction Housing	SS 316 (filter head, lid and bottom)	
Restrainer basket	SS 316 (other wetted housing parts)	
Closure	Steel galvanized (swing eye bolts and ring nuts)	
Other parts	SS 304	
Operating data Vessel / Jacket	max. 10 bar / 160 °C / max. 6 bar / 160 °C	
Housing connections N1/N2 (inlet / outlet)	2" ANSI flange (2" RF/225lbs)	
N3 (lid holes)	1/4" BSP female with plug	
N5/N6 (inlet / outlet)	1" ANSI flange (1" RF/225lbs)	
Packing: One way palette topped with corrugated box (cm)	L = 56 x W = 33 x H = 90	L = 56 x W = 33 x H = 110

Monarch Group – Filters, Strainers, Separators & Pipeline Equipment

Monarch Industrial Products
Brisbane, Australia
Ph +61 (0) 7 3298 5000
www.monarchindustrial.com.au

PSF Equipment Thailand
Bangkok, Thailand
Ph +66 (0) 2 882 5512
www.psfthailand.com

Eaton GAF Bag filter - TOPLINE Housing 316 S/S, Heat Jacket

Spare parts (Changes possible w/o notice) Spe. 22.07.97	Size 01	Size 02
Restrainer basket	BKT-AS-AB-01	BKT-AS-AB-02
Baglock (for size 02 only)	without	BLK-SE-AB-02
NBR lid gasket	OR-TBF-B-C01	
Housing inlet gasket	OR-TBF-B-E01	
Bolt set (Swing eye bolt, ring nut, washer) 4 sets / housing)	EBS-M20ZA-85	

Accessories (order separately)	Size 01	Size 02
filter bags	Size 01	Size 02
Mesh strainer (25-800 µm)	FMB-UK-AB-01-(25 – 800)	FMB-UK-AB-02-(25 – 800)
Evacuation balloon	BAL-SE-AB-01	BAL-SE-AB-02
Bag positioner	BLK-SE-AB-01	BLK-SE-AB-02
LOFNETIC magnetic insert * see separate data sheet	BLM-LN1/2-AB-01	BLM-LN1/2-AB-02
O-ring-gaskets	VITON, EPDM, FEP/Viton, FEP/Silicone, TEFLON	
Pressure gauge (10 bar) 1/4" BSP male	PGE-IND-AB-1/4	
Vent valve 1/4" BSP male	E-1/4-S	
90°/DN 50 elbow pipe for filter outlet	RB-DN-50-S-T	
Pipe enlarging module DN 50 / DN 65	RV-DN50/65-S	

Monarch Group – Filters, Strainers, Separators & Pipeline Equipment

Monarch Industrial Products

Brisbane, Australia

Ph +61 (0) 7 3298 5000

www.monarchindustrial.com.au

PSF Equipment Thailand

Bangkok, Thailand

Ph +66 (0) 2 882 5512

www.psfthailand.com