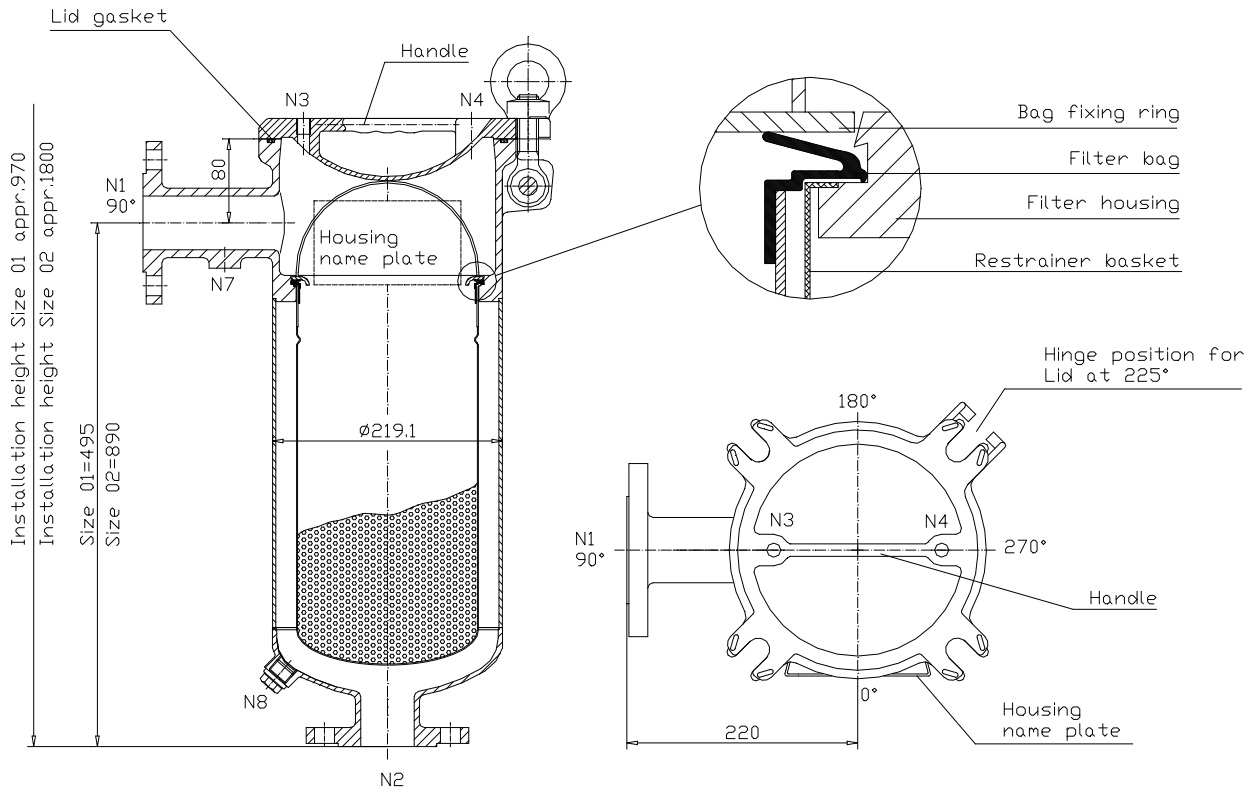


Eaton GAF Bag filter – SIDELINE Housing 316 Stainless Steel



Rev. 06/12/2002 all dimensions in mm

Specification (Changes possible w/o notice)		Spe. 20.05.2000	Size 01	Size 02
Type code			SBF-0101-AB10-020A	SBF-0102-AB10-020A
Max. flow rate (m³/h)			20	40
Filter area (m²)			0.25	0.50
Filter housing volume (litre)			18	32
Filter housing weight (kg)			approx. 38	approx. 46
Installation height (cm)			approx. 97	approx. 180
Installation space (cm)			approx. 60 x 60	
Material of construction	Housing		SS 316 (filter head, lid and bottom) SS 316 (other wetted housing parts)	
	Restrainer basket		SS 316	
	Closure		Steel galvanized (swing eye bolts and ring nuts)	
	Other parts		SS 304	
Operating data			max. 10 bar / 160 °C respectively 15 bar / 30 °C	
Housing connections	N1/N2 (inlet / outlet)		2" ANSI/ 150psi (2" RF/225 lbs)	
	N3 (lid holes)		1/4" BSP female with plug	
	N8 (vent hole)		1/2" NPT female with plug	
Hinged lid			standard position at 225°	
Packing:	One way palette topped with corrugated box (cm)		L = 85 x W = 45 x H = 33	L = 120 x W = 45 x H = 33

Monarch Group – Filters, Strainers, Separators & Pipeline Equipment

Monarch Industrial Products
Brisbane, Australia
Ph +61 (0) 7 3298 5000
www.monarchindustrial.com.au

PSF Equipment Thailand
Bangkok, Thailand
Ph +66 (0) 2 882 5512
www.psfthailand.com

Eaton GAFBag filter - SIDELINE Housing 316 Stainless Steel

Spare parts (Changes possible w/o notice) Spe. 20.05.2000	Size 01	Size 02
Restrainer basket	BKT-AS-AB-01	BKT-AS-AB-02
Bag fixing ring	BFR-107-AB-01	
NBR-lid gasket	OR-SBF-B-C01	
Bolt set (Swing eye bolt, ring nut, washer) 4 sets / housing)	EBS-M20ZA-100	

Accessories (order separately)	Size 01	Size 02
filter bags	Size 01	Size 02
Mesh strainers (25 - 800 µm)	FMB-UK-AB-01-25 - 800	FMB-UK-AB-02-25 - 800
Evacuation balloon	BAL-SE-AB-01	BAL-SE-AB-02
Bag positioner	BLK-SE-AB-01	BLK-SE-AB-02
LOFNETIC magnetic insert * see separate data sheet	BLM-LN1/2-AB-01	BLM-LN1/2-AB-02
O-ring-gaskets	VITON, EPDM, FEP/Viton, FEP/Silicone, TEFLON	
Pressure gauge (10 bar) 1/4" BSP male	PGE-IND-AB-1/4	
Vent valve 1/4" BSP male	E-1/4-S	
Wall mounting brackets	WMB-TBF-BB-01	
Leg assembly	LAY-TBF-BB-01	
90°/DN 50 elbow pipe for filter outlet	RB-DN50-S-S	
Pipe enlarging module DN 50 / DN 65	RV-DN50/65-S	

Monarch Group – Filters, Strainers, Separators & Pipeline Equipment

Monarch Industrial Products
 Brisbane, Australia
 Ph +61 (0) 7 3298 5000
www.monarchindustrial.com.au

PSF Equipment Thailand
 Bangkok, Thailand
 Ph +66 (0) 2 882 5512
www.psfthailand.com