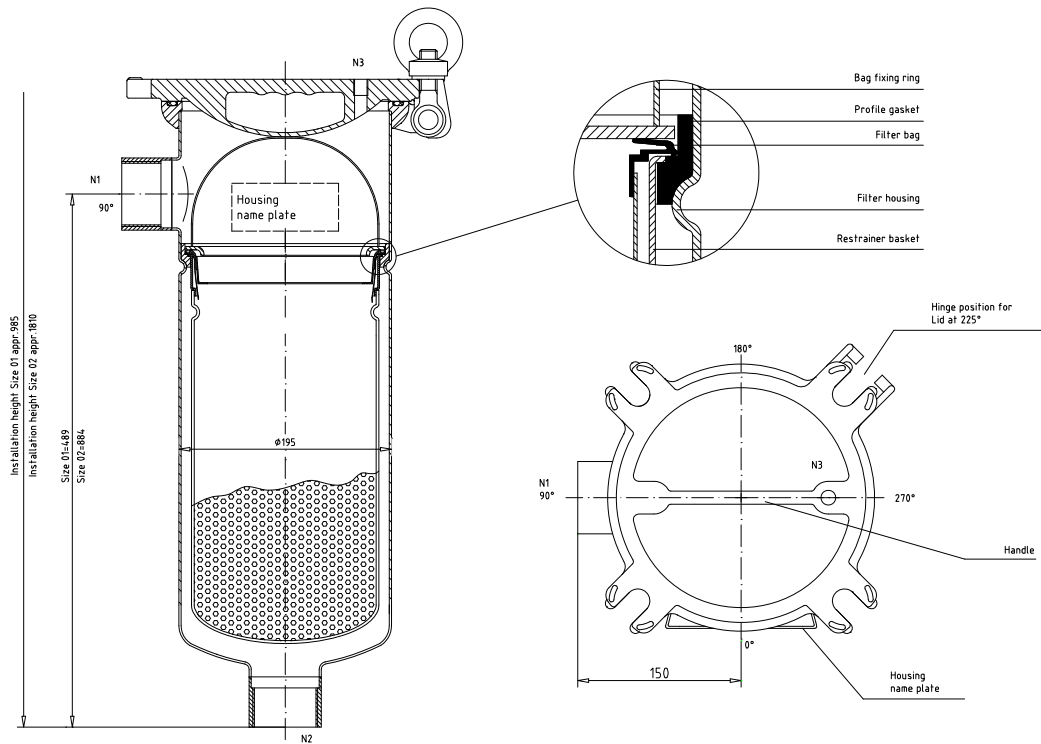


Eaton GAF Bag filter – FLOWLINE Housing 316 Stainless Steel



S-FL-0036/0037 Rev. 19/03/2001 all dimensions in mm

Specification	Size 01	Size 02
(Changes possible w/o notice) Spe. 18.05.2000		
Type code	FBF-0101-AB10-050B	FBF-0102-AB10-050B
Max. flow rate (m³/h)	20	40
Filter area (m²)	0.25	0.50
Filter housing volume (litre)	15.5	27
Filter housing weight (kg)	approx. 11	approx. 17
Installation height (cm)	approx. 99.5	approx. 182.5
Installation space (cm)	approx. 50 x 50	
Material of construction Housing	SS 316 (filter head, lid and bottom)	
Restrainer basket	SS 316 (wetted housing parts)	
Closure	Steel galvanized (swing eye bolts and ring nuts)	
Other parts	SS 304	
Operating data	max. 10 bar / 120 °C respectively 15 bar / 30 °C	
Housing connections N1/N2 (inlet / outlet)	2" BSP female	
N3 (lid hole)	1/4" BSP female with plug	
Hinged lid	standard position at 225°	
Packing: Corrugated box (cm) (leg assembly separat)	L = 85 x W = 30 x H = 30	L = 125 x W = 30 x H = 30

Monarch Group – Filters, Strainers, Separators & Pipeline Equipment

Monarch Industrial Products
 Brisbane, Australia
 Ph +61 (0) 7 3298 5000
 www.monarchindustrial.com.au

PSF Equipment Thailand
 Bangkok, Thailand
 Ph +66 (0) 2 882 5512
 www.psfthailand.com

Eaton GAF Bag filter – FLOWLINE 316 Stainless Steel

Spare parts (Changes possible w/o notice) Spe. 18.05.2000	SIZE 01	SIZE 02
Restrainer basket	BKT-AS-AB-01	BKT-AS-AB-02
Bag fixing ring	BFR-110-AB-01	
NBR-lid gasket	OR-FBF-B-CO1	
NBR- restrainer basket gasket	P-EBF-V-B01	
Bolt set (Ring nut, swing eye bolt, washer) 4 per housing	EBS-M16ZA-65	

Accessories (order separately)	Size 01	Size 02
filter bags	Size 01	Size 02
Mesh strainers (25 - 800 µm)	FMB-UK-AB-01-25 - 800	FMB-UK-AB-02-25 - 800
Evacuation balloon	BAL-SE-AB-01	BAL-SE-AB-02
Bag positioner	BLK-SE-AB-01	BLK-SE-AB-02
LOFNETIC magnetic insert * see separate data sheet	BLM-LN1/2-AB-01	BLM-LN1/2-AB-02
Wall mounting brackets	WMB-EBF-BB-01	
Leg assembly	LAY-EBF-BB-01	
O-ring-gaskets	VITON, EPDM	
Pressure gauge (10 bar) 1/4" BSP male	PGE-IND-AB-1/4	
Vent valve 1/4" BSP male	E-1/4-S	

Monarch Group – Filters, Strainers, Separators & Pipeline Equipment

Monarch Industrial Products
 Brisbane, Australia
 Ph +61 (0) 7 3298 5000
www.monarchindustrial.com.au

PSF Equipment Thailand
 Bangkok, Thailand
 Ph +66 (0) 2 882 5512
www.psfthailand.com