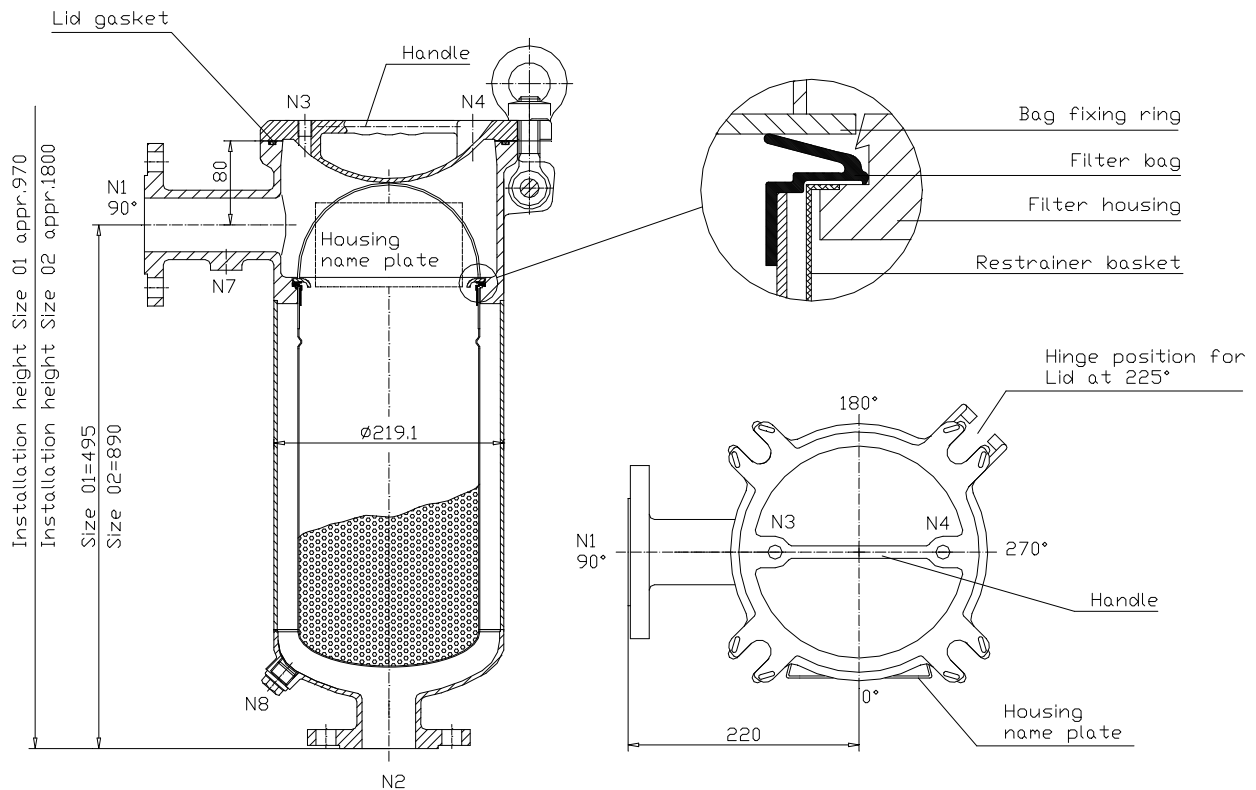


Eaton GAF Bag filter – SIDELINE 304 Stainless Steel



Rev. 06/12/2002 all dimensions in mm

Specification (Changes possible w/o notice)		Size 01	Size 02
Spe. 20.05.2000			
Type code		SBF-0101-BB10-030A	SBF-0102-BB10-030A
Max. flow rate (m ³ /h)		20	40
Filter area (m ²)		0.25	0.50
Filter housing volume (litre)		18	32
Filter housing weight (kg)		approx. 40	approx. 48
Installation height (cm)		approx. 97	approx. 180
Installation space (cm)		approx. 60 x 60	
Material of construction	Housing	SS 304 (filter head, lid) SS 304 (other wetted housing parts)	
	Restrainer basket	SS 316	
	Closure	Steel galvanized (swing eye bolts and ring nuts)	
	Other parts	SS 304	
Operating data		max. 10 bar / 160 °C respectively 15 bar / 30 °C	
Housing connections	N1/N2 (inlet / outlet)	3" ANSI 150psi (3" RF/225 lbs)	
	N3 (lid hole)	1/4" BSP female with plug	
	N8 (vent hole)	1/2" NPT female with plug	
Hinged lid		standard position at 225°	
Packing:	One way palette topped with corrugated box (cm)	L = 85 x W = 45 x H = 33	L = 120 x W = 45 x H = 33

Monarch Group – Filters, Strainers, Separators & Pipeline Equipment

Monarch Industrial Products
Brisbane, Australia
Ph +61 (0) 7 3298 5000
www.monarchindustrial.com.au

PSF Equipment Thailand
Bangkok, Thailand
Ph +66 (0) 2 882 5512
www.psfthailand.com

Eaton GAF Bag filter - SIDELINE 304 Stainless Steel

Spare parts (Changes possible w/o notice)	Spe. 20.05.2000	Size 01	Size 02
Restrainer basket		BKT-AS-AB-01	BKT-AS-AB-02
Bag fixing ring		BFR-107-AB-01	
NBR-lid gasket		OR-SBF-B-C01	
Bolt set (Swing eye bolt, ring nut, washer) 4 sets / housing)		EBS-M20ZA-100	

Accessories (order separately)	Size 01	Size 02
filter bags	Size 01	Size 02
Mesh strainers (25 - 800 µm)	FMB-UK-AB-01-25 - 800	FMB-UK-AB-02-25 - 800
Evacuation balloon	BAL-SE-AB-01	BAL-SE-AB-02
Bag positioner	BLK-SE-AB-01	BLK-SE-AB-02
LOFNETIC magnetic insert * see separate data sheet	BLM-LN1/2-AB-01	BLM-LN1/2-AB-02
O-ring-gaskets	VITON, EPDM, FEP/Viton, FEP/Silicone, TEFLON	
Pressure gauge (10 bar) 1/4" BSP male	PGE-IND-AB-1/4	
Vent valve 1/4" BSP male	E-1/4-S	
Wall mounting brackets	WMB-TBF-BB-01	
Leg assembly	LAY-TBF-BB-01	
90°/DN 80 elbow pipe for filter outlet	RB-DN-80-S-S	
Pipe enlarging module DN 80/DN 100	RV-DN80/100-S	

Monarch Group – Filters, Strainers, Separators & Pipeline Equipment

Monarch Industrial Products
 Brisbane, Australia
 Ph +61 (0) 7 3298 5000
www.monarchindustrial.com.au

PSF Equipment Thailand
 Bangkok, Thailand
 Ph +66 (0) 2 882 5512
www.psfthailand.com